

ASSA ABLOY HT3

ASSA ABLOY

Mechanical Hub



HI-O TECHNOLOGY™

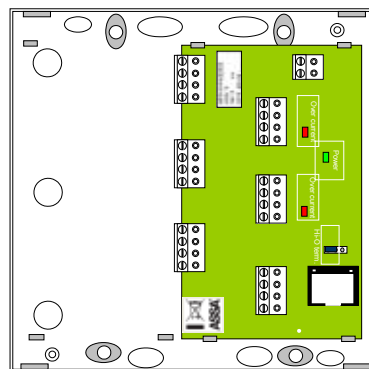
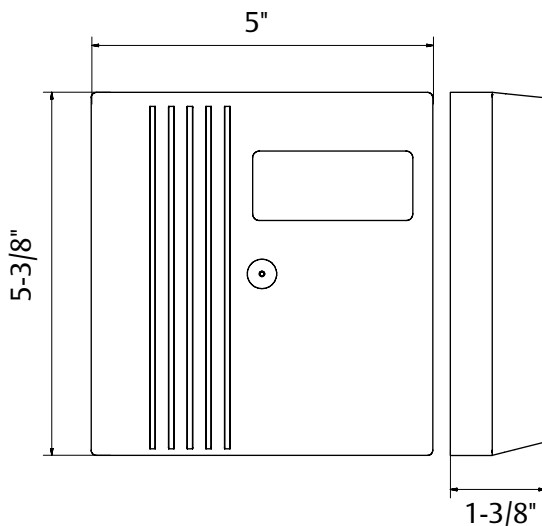
The global leader in door opening solutions



The Hi-O HT3 allows all Hi-O components in an opening to be connected together using terminal block method. The HT3 hub is designed to ease installation of a Hi-O door environment.

Hi-O stands for Highly Intelligent Opening, which means that a Hi-O component has a built in processor and encrypted communication

Hi-O enables intelligent supervision of door behavior, in real time.



Data

- Input Voltage: 12-24 V DC
- No of Hi-O ports: 6
- Weight: 200 g
- Temperature range: 41°F to 104°F (non-condensing)

Enclosure

- Impact-resistant ABS plastic