

ASSA ABLOY HT2

ASSA ABLOY

Wiegand Translator



HI-O TECHNOLOGY™

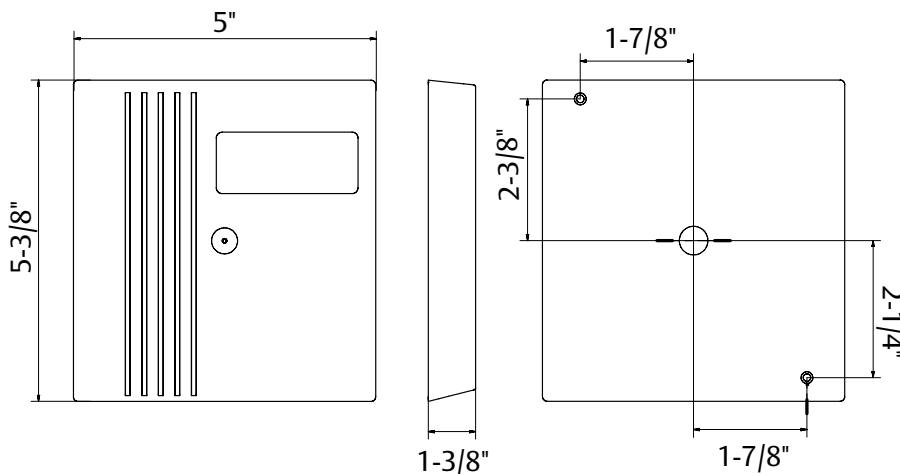
The global leader in door opening solutions



The HT2 is a gateway unit and an intelligent connection terminal block. It allows a Hi-O door opening to be connected to a traditional non-Hi-O access system, by converting Hi-O data to Wiegand and relay I/O.

Hi-O stands for Highly Intelligent Opening, which means that a Hi-O component has a built in processor and encrypted communication.

Hi-O enables intelligent supervision of door behavior, in real time.



Data

- Input Voltage: 12-24 V DC
- No of Hi-O ports: 2
- Weight: 200 g
- Temperature range: 41°F to 104°F (non-condensing)

Enclosure

- Impact-resistant ABS plastic